

# EXS-40R

## Innovative Digital Radiography System



CE 0123  
ISO9001 ISO13485



# EXS-40R

## High Performance and Reliability

The newly designed EXS-40R diagnostic X-ray system provides an analogue radiographic room that perfectly fits your workflow and budget, which can be easily upgraded to DR system with the help of DR interface and PC interface in the generator as well as Bucky suitable to Flat Panel Detector.

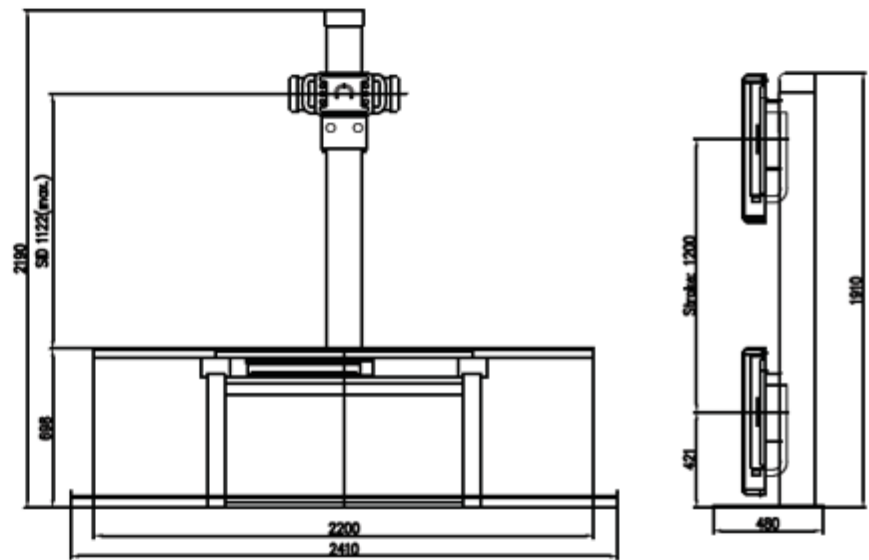
EXS-40R X-ray system is designed for operator and patient comfort with the moving components specially designed to reduce electromechanical lock noise.

Experience the quality, durable and user-friendly operation for all applications with the EXS-40R X-ray system.

# Innovative Digital Radiography System

## Specification

Model Name	EXS-40R
<b>System Power Requirement</b>	
Line Voltage	230V, 50/60Hz
Line Phase	1P (Single-Phase)
<b>X-ray Tube</b>	
kVp Range	40 ~ 125kV
Focal Spot Size	1.0/2.0mm
Maximum mA Rating	500mA
Target Angle	16°
Anode Heat Storage Capacity	140KHU
Anode Rotating Speed	2700rpm@50Hz 3200rpm@60Hz
Target Construction	Rhenium-Tungsten
Permanent Filtration	0.9mm Al@75kV
<b>X-ray Generator</b>	
Power Rating	40kW
Line Nominal, Phase	230V, 1P, 50/60Hz
Method	High Frequency Inverter
kV Range	40 ~ 125kV, 1kV step
mA Range	10 ~ 500mA, 18 steps
Timer Range	1m ~ 10s, 36 steps
mAs Range	0.1 ~ 500mAs
Maximum Power Output	500mA@80kV 400mA@100kV 320mA@125kV
Rotor Supply	Low Speed Starter (LSS)
Anatomical Programs	Max. 2000 programable
Technique Selection	4-point & 2-point control
Image Receptors	2 Buckys + 1 Non-Bucky
<b>Collimator</b>	
Method	Manual Adjustment
Maximum X-ray Tube Voltage	150kVp
Maximum X-ray Light Field	48X48cm@SID100cm
Lamp Timer	Push-button/30s Timer
Projection Lamp	LED 24V, 1A
Dimension	225W x 240D x 185H
Inherent Protection	1.2mm AL Eq.
Weight	5kg
<b>Patient Table</b>	
Type	4-way Float-Top
Dimension	2200W x 820D x 720H
Longitudinal Travel	±450mm
Transverse Travel	±150mm
Weight	130kg
<b>Tube Stand</b>	
Column Height	2190mm
Vertical Travel	1300mm
Transverse Travel	300mm
Longitudinal Travel	1700mm
Longitudinal Rail Length	2400mm
Column Rotation	over ±90°
Tube Rotation	±180°
System Weight	210kg
<b>Wall Bucky Stand</b>	
Column Height	1910mm
Vertical Travel	1200mm
System Weight	80kg



## Other Component



Compatible bucky stand



OP console